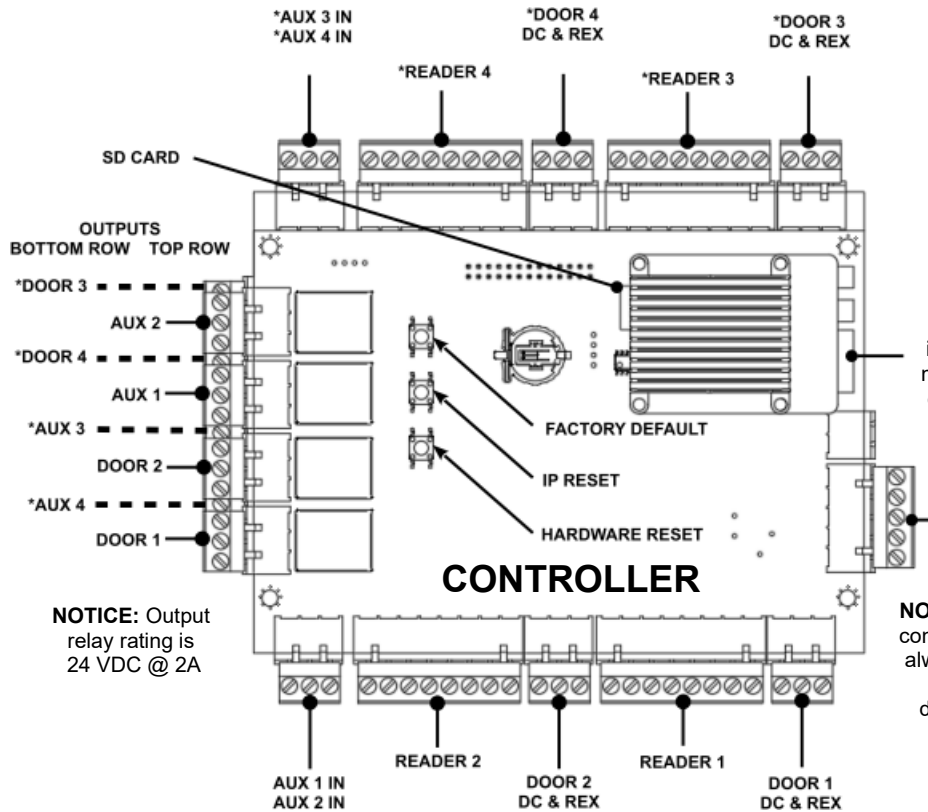


Neptune Series Access Control System Wiring Diagram

for Level 1 (controlled) Installations



NOTICE: Output relay rating is 24 VDC @ 2A

Controller Layout (*indicates only included on 4 Door models)

Use UL 294 Listed Readers
12 VDC @ 200mA max
Connect with twisted shielded wire, 22 AWG (250 FT), 18 AWG (500FT), Belden #9535 or equivalent.

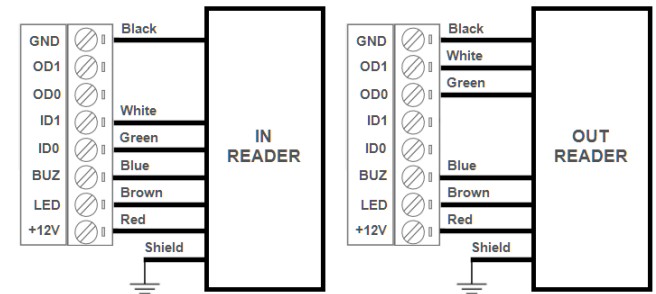
RJ45 Ethernet
NOTE: For UL installations the maximum length of cable is 98.5 FT (30 m)

Controller Power
Class 2
12 VDC @ 2A

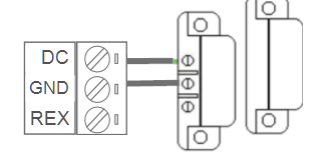
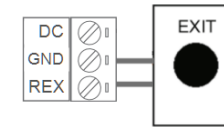
NOTE: To prevent loss of configuration information, always backup system's database before disconnecting power.

I/O	Default State
Door Status In	Disabled
REX In	Normally Open, Momentary
AUX In	Normally Open, Momentary
Door Out	Not Energized, Single Pulse, 3 Second On
AUX Out	Not Energized, Single Pulse, 3 Second On

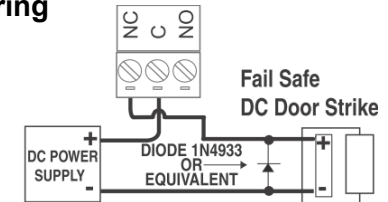
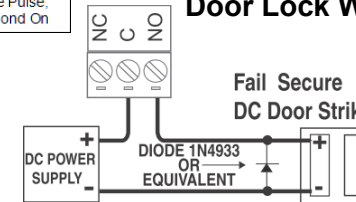
Wiegand Reader Wiring



Input Wiring

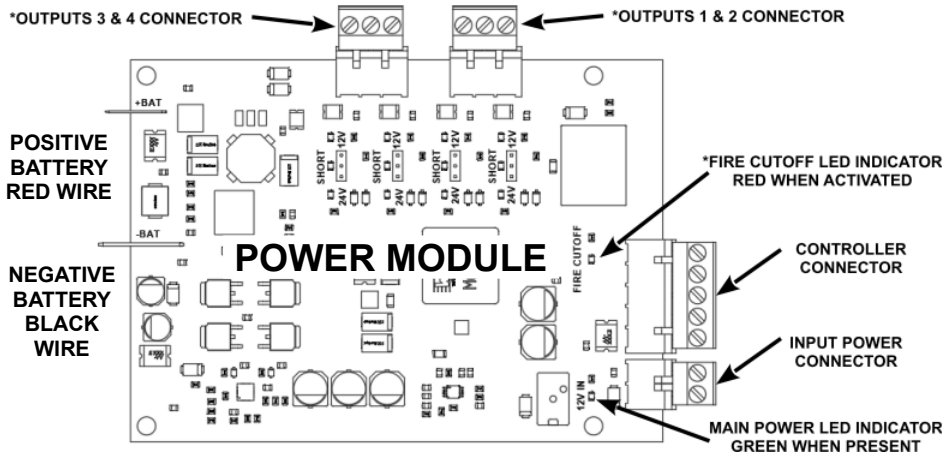


Door Lock Wiring



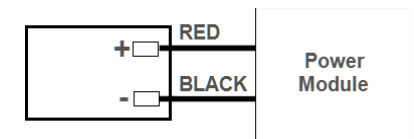
Amps @ 12 VDC	Output Wire Gauge			
	Wire Gauge and Distance (FT)			
	14	16	18	20
0.5 A	1500	1000	600	375
1.0 A	800	500	300	200
2.0 A	400	240	150	50

NOTICE:
DO NOT ALTER OR TAMPER WITH THIS DEVICE.
CONTROLLER AND POWER MODULE HAVE NO USER REPLACEABLE PARTS.
System Contains Class 2 Circuits
Refer to installation manual 100100 for additional information

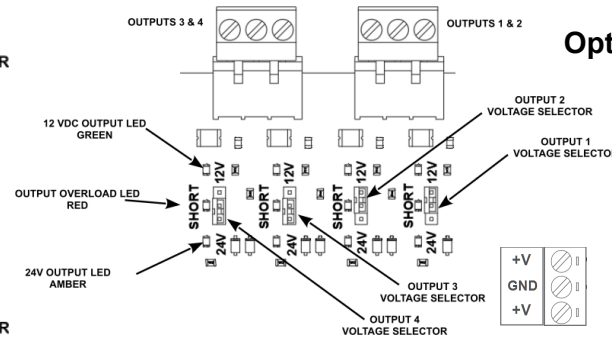


Power Module Layout (*indicates only included on models with lock power)

Optional Battery Connection



NOTICE: Qualified technician should replace battery every 2 to 3 years. See installation instructions for safe replacement of battery. Use only 12V 7AH sealed lead acid battery. CHARGE RATE: 900mA. Do not exceed manufacturer specifications.



Output Connector
The max current for any output is 375 mA @ 24V or 700 mA @ 12V