



SNC

IP Megapixel Camera Series

2021-P / 2041-P

2123-P / 2143-P

3021-P / 3041-P

3123-P / 3143-P

3223xNP / 3233x20P / 3253x18P

IP Megapixel Cameras

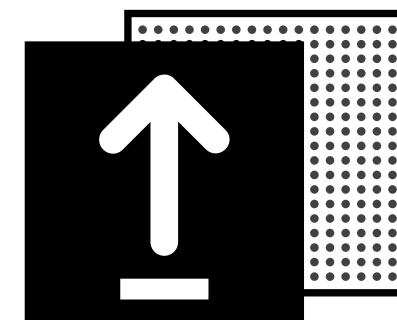
Powerful Robust Hisilicon 3516A/D/C Series CPU makes your different experience.

Meeting today's requirements for network cameras, Sicunet offers wide IP camera series with Hisilicon 3516 A/D/C series CPU. They are bullet cameras, dome cameras. Powerful Hisilicon 3516 A/D/C series CPU have advanced H.264 codec technology a lot less power, our 2.0 megapixel, 4.0 megapixel, 5.0 megapixel cameras make you difference vision, and exclusive Sicunet cloud technology creates you more convenient video surveillance system. Our IP cameras are ONVIF standard conformant.



High Quality HD Video

Optimized over many generations of designs, it delivers the highest-quality images under the most challenging of lighting conditions. This technology enables unrivaled image quality for camera applications ranging from consumer HD hybrid cameras to professional high-resolution surveillance cameras.



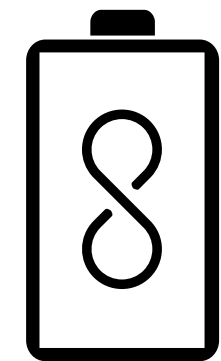
Enhanced Video Processing & Top-Notched Features

- 3D noise reduction filtering
- Digital WDR contrast enhancement
- AE/AWB/AF libraries supplied
- Alpha-blending OSD
- Crop, Mirror, Flip, Digital PTZ



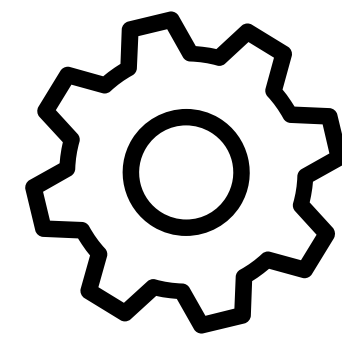
True H.264 Compression

deliver the highest possible HD video quality at very low bit rates.



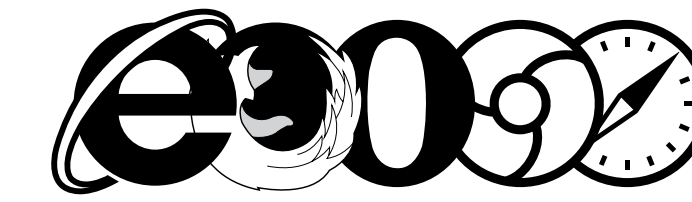
Low Power

The low power is reduces energy costs and financial cost.



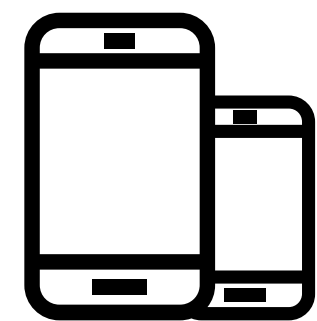
Robust Cloud (Hole Punching) Service

This is a networking technique for establishing communications between two parties(IP camera and remote PC or mobile phone) in separate organizations who are both behind restrictive firewalls.



Remote Web Viewer Multi Browser

All web-browser compatibility



Powerful Remote Mobile Monitoring & Control

Free download application Sicunet mobile monitoring solution delivers excellent remote video surveillance with your mobile phone while you are on the move.

ONVIF 2.4 Conformant

Fast Video Streaming SNC series give our partners and end users freedom to choose from hundreds of video management software.



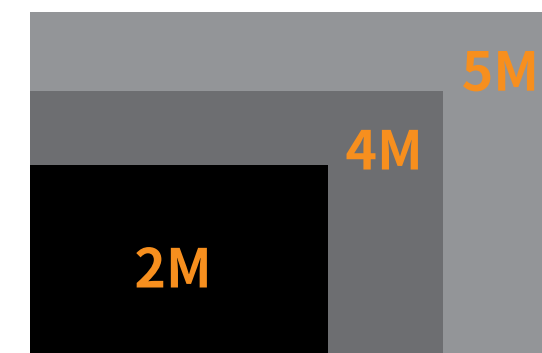
Power Over Ethernet

IEEE 802.3af Standard.
The main advantage of PoE for IP camera is the installation of remote or outside camera without having to connect to AC power. IP camera can be installed without the need for an electrician.



SD Card Slot

Video Played by Smart Phone & PC.
The video is recorded in SD card which can be read by smart phone and PC.



Wide Resolution Range from 2M to 5M

- 2MP Full HD (1920 x 1080)
- 4MP Full HD (2592 x 1520)
- 5MP Full HD (2592 x 1944)



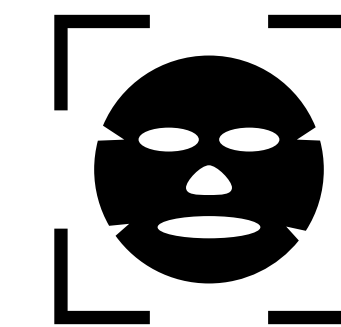
Sicunet Free DDNS Service(vmddns.com)

We provide free and secure dynamic DNS. You will always be able to access your computer even if your IP address is dynamically assigned.



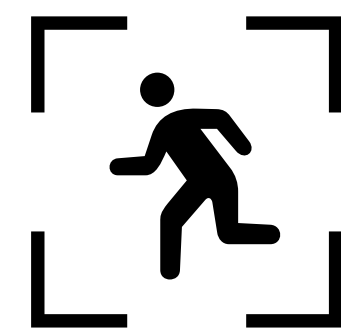
Triple Stream Supported

Triple stream support enables you to take advantage of three different streams from an IP camera. One stream can be high definition forensic video for recording, while the other stream can be a lower resolution for Live display for multiple screen and 3rd stream is for mobile connectivity.



Privacy Mask

Privacy masking is a feature found in many IP cameras which is used to protect personal privacy by concealing parts of the image from view with a masked area.



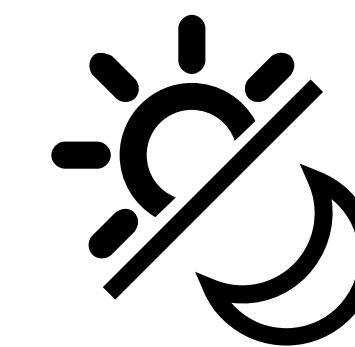
Motion Detection

This technology detects moving objects, particularly people. The motion detection enables you to optimize the use of recording storage and provides instant alarm verification by allowing for a quick and appropriate response.



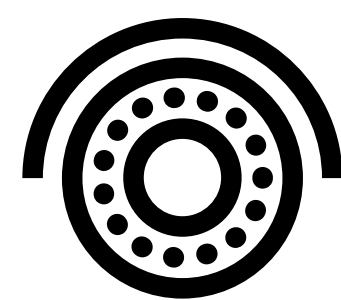
Two Way Audio(Talkback)

Two way audio enables you to receive and transmit audio through the IP camera.



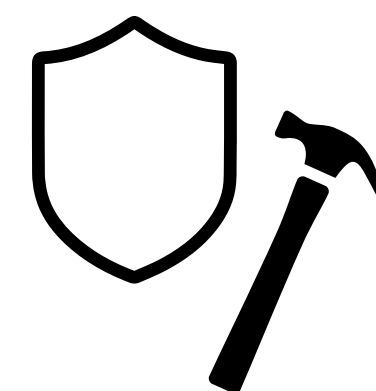
True Day and Night

Black & White Image at Night. As daylight diminishes, day and night cameras record night scenes in black and white in order to reduce noise, and heighten the quality of the image.



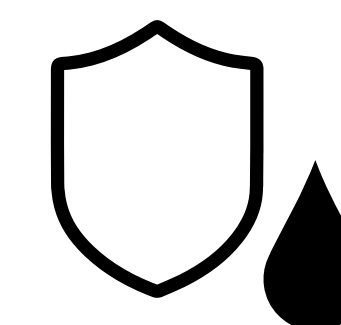
Infrared LED

Better Video under Low Light. IR Cameras are an excellent way of providing a picture in poor light. These can be supplemented by the use of extra IR lights.



Anti-Vandal Proof

A vandal-proof camera is a camera and housing intended to resist vandalism, making sure the camera will continue to operate in conditions where people attempt to break it or impair its function.



Water Proof Protection

Safe under Any Outdoor Space. The waterproof security camera allows you to enjoy all of the benefits of keeping the outdoor perimeter of your property under surveillance without worrying about your camera getting ruined by the rain or the elements.

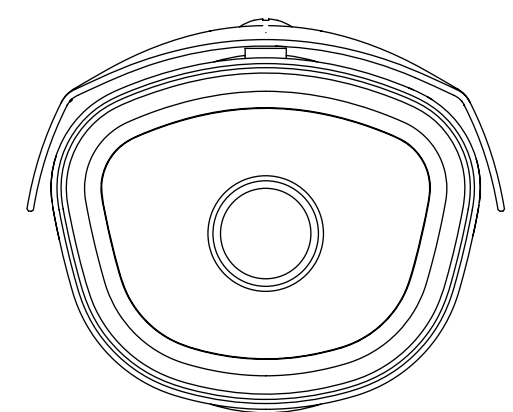
IPC Bullet Cameras

SNC 2021-P

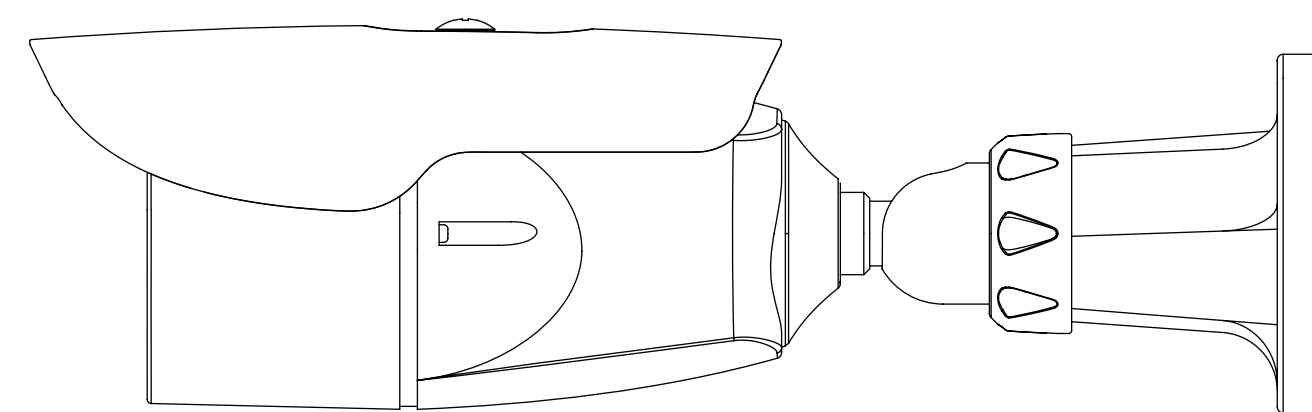
SNC 2041-P



■ Black ■ White



85



208

67

Model NO.		SNC 2021-P	SNC 2041-P
Camera	Image Sensor	IMX 323	OV 4689
	Lens Type	Fixed Lens	
	Lens Mount	Board Mount	
	Zoom	N/A	
	Focal Length	f=3.6mm	
	Maximum Aperture Ratio	F 1.2	
	Angle of View	118.9	
	Electronics Shutter Speed	1/25 ~ 1/10000	
	Privacy Masking	4 Regions	
	Flip Mode	Horizontal, Vertical	
	Image Enhancement	AE, AWB, HLC, BLC	
	IR LED	24pcs, 15M	24pcs, 30M
Video	Compression	H.265, H.264, M-JPEG	
	Frame Rate	Mx30fps @ 1920x1080	Mx25fps @ 2592x1520
	Bit Rate	Main Stream : ~8192kbps Sub Stream : ~2048kbps	Main Stream : ~16384kbps Sub Stream : ~2048kbps
	Encoding	1080@30fps + VGA@30fps	4MP@30fps + VGA@30fps
	Resolutions	1920x1080, 1280x720, 640x480, 320x240	2592x1520, 2048x1536 1920x1080, 640x480, 320x240
	Streaming	Double Streaming	
Audio	Burn-in-OSD	English	
	Compression	N/A	
Event & Alarm	Bit Rate	N/A	
	Event Source	Motion, Video Loss, Network Disconnection	
Network	Event Actions	Push Notification, E-mail, FTP, Alarm Control, Recording	
	Interface	Ethernet 10/100 Base-T(RJ-45), PoE : IEEE802.3af	
	Protocol	IPv4, TCP/IP, HTTP, DHCP, DNS, DDNS, RTP, RTSP, SMTP, NTP, FTP, UPNP	
	Security	Password Protection	
General	Application Programming Interface	Private Protocol / SDK, ONVIF Profile S	
	Housing	IR Bullet, Vandal Resistance, IP66	
	Certifications	CE / FCC / RoHS / KCC	
	Edge Storage	N/A	
	Power Supply	Min DC 12V / 1.5A, PoE : 802.3af	
	Power Consumption	3W	
	Operation Condition	-10°C ~ 50°C (14°F ~ 122°F) / 20% ~ 80% RH	
	Dimension	85 x 67 x 208 (mm)	
Weight	900g		

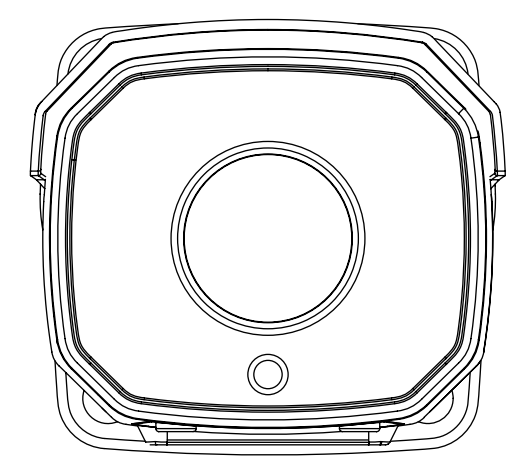
IPC Bullet Cameras

SNC 2123-P / 2123-LP

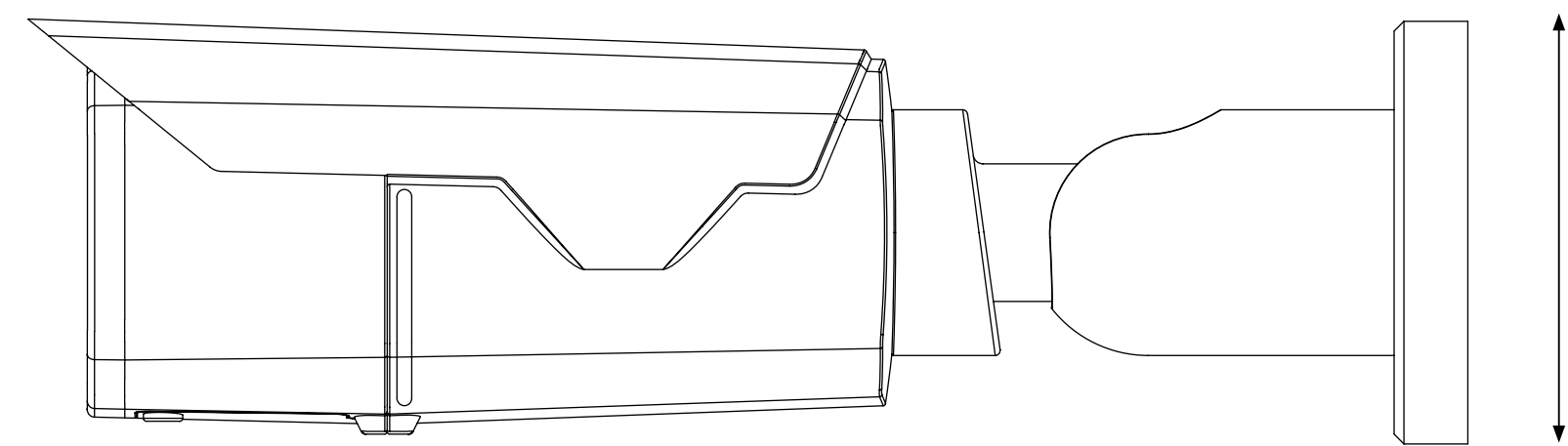
SNC 2143-P



■ Black ■ White



94



290

85.7

Model NO.	SNC 2123-P	SNC 2123-LP	SNC 2041-P
Camera	Image Sensor	IMX 323	OV 4689
	Lens Type		Motorized
	Lens Mount		Board Mount
	Zoom		5X
	Focal Length		f=2.7-13.5mm
	Maximum Aperture Ratio		F 1.2
	Angle of View		108-27
	Electronics Shutter Speed		1/25 ~ 1/10000
	Privacy Masking		4 Regions
	Flip Mode		Horizontal, Vertical
	Image Enhancement		AE, AWB, HLC, BLC
	IR LED		24pcs, 30M
Video	Compression	H.265, H.264, M-JPEG	
	Frame Rate	Mx30fps @ 1920x1080	Mx25fps @ 2592x1520
	Bit Rate	Main Stream : ~8192kbps Sub Stream : ~2048kbps	Main Stream : ~16384kbps Sub Stream : ~2048kbps
	Encoding	1080@30fps + VGA@30fps	4MP@25fps + VGA@30fps
	Resolutions	1920x1080, 1280x720, 640x480, 320x240	2592x1520, 2048x1536 1920x1080, 640x480, 320x240
	Streaming	Double Streaming	
Audio	Burn-in-OSD	English	
	Compression	G711.A/G711.U	
Event & Alarm	Bit Rate	64kbps	
	Event Source	Motion, Video Loss, Network Disconnection	
Network	Event Actions	Push Notification, E-mail, FTP, Alarm Control, Recording	
	Interface	Ethernet 10/100 Base-T(RJ-45), PoE : IEEE802.3af	
	Protocol	IPv4, TCP/IP, HTTP, DHCP, DNS, DDNS, RTP, RTSP, SMTP, NTP, FTP, UPNP	
	Security	Password Protection	
General	Application Programming Interface	Private Protocol / SDK, ONVIF Profile S	
	Housing	IR Bullet, Vandal Resistance, IP66	
	Certifications	CE / FCC / RoHS / KCC	
	Edge Storage	N/A	
	Power Supply	Min DC 12V / 1.5A, PoE : 802.3af	
	Power Consumption	Max 6W	
	Operation Condition	-10°C ~ 50°C (14°F ~ 122°F) / 20% ~ 80% RH	
	Dimension	94 x 85.7 x 290 (mm)	
Weight	1200g		

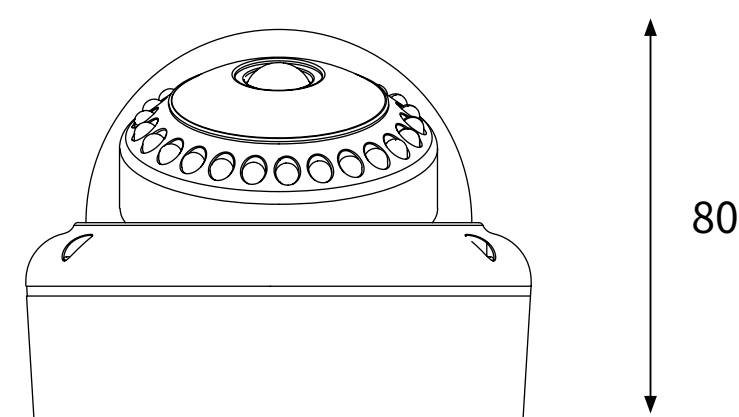
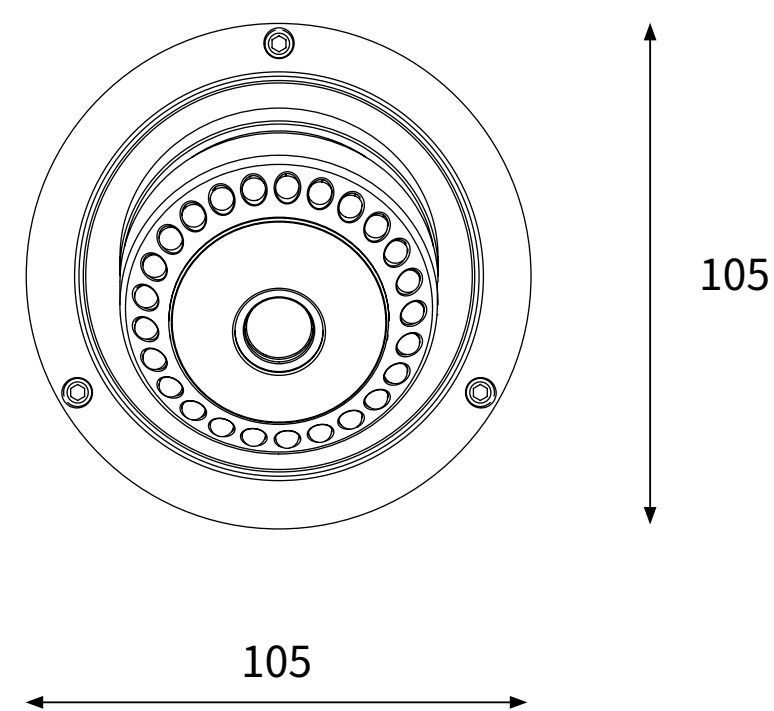
IPC Dome Cameras

SNC 3021-P

SNC 3041-P



■ Black ■ White



Model NO.		SNC 3021-P	SNC 3041-P
Camera	Image Sensor	IMX 323	OV 4689
	Lens Type	Fixed Lens	
	Lens Mount	Board Mount	
	Zoom	N/A	
	Focal Length	f=3.6mm	
	Maximum Aperture Ratio	F 1.2	
	Angle of View	N/A	
	Electronics Shutter Speed	1/25 ~ 1/10000	
	Privacy Masking	4 Regions	
	Flip Mode	Horizontal, Vertical	
	Image Enhancement	AE, AWB, HLC, BLC	
	IR LED	24pcs, 30M	
Video	Compression	H.265, H.264, M-JPEG	
	Frame Rate	Mx30fps @ 1920x1080	Mx25fps @ 2592x1520
	Bit Rate	Main Stream : ~8192kbps Sub Stream : ~2048kbps	Main Stream : ~16384kbps Sub Stream : ~2048kbps
	Encoding	1080@30fps + VGA@30fps	4MP@30fps + VGA@30fps
	Resolutions	1920x1080, 1280x720, 640x480, 320x240	2592x1520, 2048x1536 1920x1080, 640x480, 320x240
	Streaming	Double Streaming	
Audio	Burn-in-OSD	English	
	Compression	N/A	
Event & Alarm	Bit Rate	N/A	
	Event Source	Motion, Video Loss, Network Disconnection	
Network	Event Actions	Push Notification, E-mail, FTP, Alarm Control, Recording	
	Interface	Ethernet 10/100 Base-T(RJ-45), PoE : IEEE802.3af	
	Protocol	IPv4, TCP/IP, HTTP, DHCP, DNS, DDNS, RTP, RTSP, SMTP, NTP, FTP, UPNP	
	Security	Password Protection	
General	Application Programming Interface	Private Protocol / SDK, ONVIF Profile S	
	Housing	IR Bullet, Vandal Resistance, IP66	
	Certifications	CE / FCC / RoHS / KCC	
	Edge Storage	N/A	
	Power Supply	Min DC 12V / 1.5A, PoE : 802.3af	
	Power Consumption	Max 6W	
	Operation Condition	-10°C ~ 50°C (14°F ~ 122°F) / 20% ~ 80% RH	
	Dimension	105 x 105 x 80 (mm)	
Weight	400g		

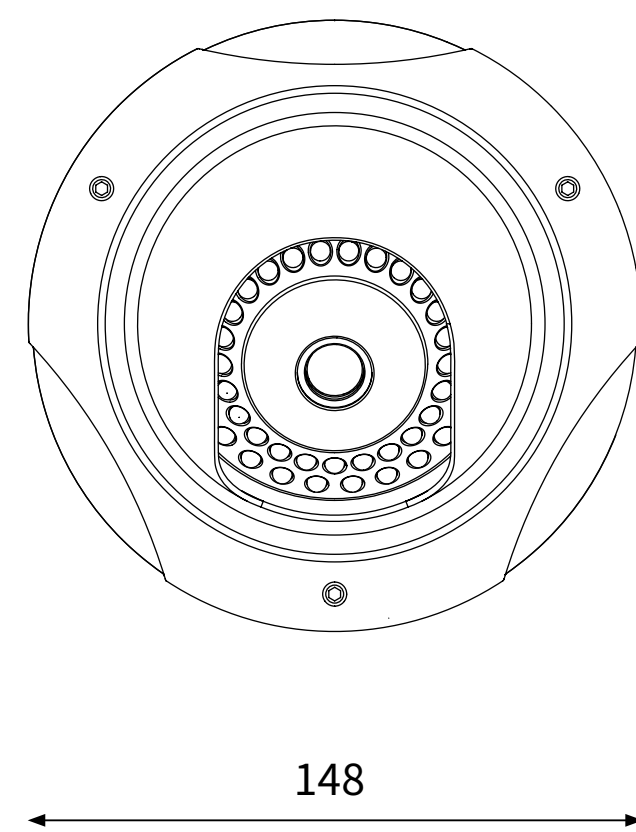
IPC Dome Cameras

SNC 3123-P / 3123-LP

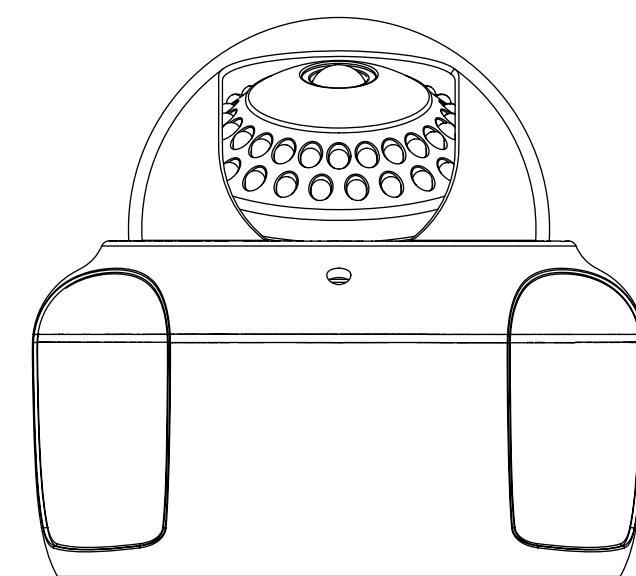
SNC 3143-P



■ Black ■ White



148



122

Model NO.	SNC 3123-P	SNC 3123-LP	SNC 3143-P
Camera	Image Sensor	IMX 323	(L/L)IMX 290
	Lens Type		Motorized
	Lens Mount		Board Mount
	Zoom		5X
	Focal Length		f=2.7-13.5mm
	Maximum Aperture Ratio		F 1.2
	Angle of View		108-27
	Electronics Shutter Speed		1/25 ~ 1/10000
	Privacy Masking		4 Regions
	Flip Mode		Horizontal, Vertical
	Image Enhancement		AE, AWB, HLC, BLC
	IR LED		24pcs, 30M
	Video	Compression	H.265, H.264, M-JPEG
Frame Rate		Mx30fps @ 1920x1080	Mx25fps @ 2592x1520
Bit Rate		Main Stream : ~8192kbps Sub Stream : ~2048kbps	Main Stream : ~16384kbps Sub Stream : ~2048kbps
Encoding		1080@30fps + VGA@30fps	4MP@25fps + VGA@30fps
Resolutions		1920x1080, 1280x720, 640x480, 320x240	2592x1520, 2048x1536 1920x1080, 640x480, 320x240
Streaming		Double Streaming	
Audio	Burn-in-OSD	English	
	Compression	G711.A/G711.U	
Event & Alarm	Bit Rate	64kbps	
	Event Source	Motion, Video Loss, Network Disconnection	
Network	Event Actions	Push Notification, E-mail, FTP, Alarm Control, Recording	
	Interface	Ethernet 10/100 Base-T(RJ-45), PoE : IEEE802.3af	
	Protocol	IPv4, TCP/IP, HTTP, DHCP, DNS, DDNS, RTP, RTSP, SMTP, NTP, FTP, UPNP	
	Security	Password Protection	
General	Application Programming Interface	Private Protocol / SDK, ONVIF Profile S	
	Housing	IR Bullet, Vandal Resistance, IP66	
	Certifications	CE / FCC / RoHS / KCC	
	Edge Storage	N/A	
	Power Supply	Min DC 12V / 1.5A, PoE : 802.3af	
	Power Consumption	Max 6W	
	Operation Condition	-10°C ~ 50°C (14°F ~ 122°F) / 20% ~ 80% RH	
	Dimension	148 x 148 x 122 (mm)	
Weight	700g		

Smart PTZ Dome Cameras

SNC 3223-X4P
3223-X10P
3223-X20P

SNC 3233-X20P

SNC 3253-X18P



Model NO.	SNC 3223-X4P	SNC 3223-X10P	SNC 3223-X20P	SNC 3233-X20P	SNC 3253-X18P	
Camera	Image Sensor		IMX 323		IMX 124	IMX 178
	Lens Type		Motorized			
	Lens Mount		Board Mount			
	Zoom	4X	10X	20X	20X	18X
	Focal Length	f=2.8-12mm	f=5-50mm	f=4.7-92mm	f=4.7-92mm	f=5-90mm
	Maximum Aperture Ratio	F 1.6	F 1.6	F 1.2	F 1.2	F 1.2
	Angle of View	125-45	60-15	66-2.5	66-2.5	66-2.8
	Electronics Shutter Speed	1/25 ~ 1/10000				
	Privacy Masking	4 Regions				
	Flip Mode	Horizontal, Vertical				
	Image Enhancement	AE, AWB, HLC, BLC				
	IR LED	24pcs, 30M	24pcs, 40M	10pcs, 150M	10pcs, 150M	10pcs, 150M
Video	Compression					H.265, H.264, M-JPEG
	Frame Rate	Mx30fps @ 1920x1080		Mx30fps @ 2048x1536	Mx30fps @ 2592x1944	
	Bit Rate	Main Stream : ~8192kbps Sub Stream : ~2048kbps		Main Stream : ~16384kbps Sub Stream : ~2048kbps		
	Encoding	1080@30fps + VGA@30fps		3MP@30fps + VGA@30fps	5MP@30fps + VGA@30fps	
	Resolutions	1920x1080, 1280x720, 640x480, 320x240		2048x1536, 1920x1080, 640x480, 320x240		2592x1520, 2048x1536 1920x1080, 640x480, 320x240
	Streaming	Double Streaming				
	Burn-in-OSD	English				
Audio	Compression					G711.A/G711.U
	Bit Rate					64kbps
Event & Alarm	Event Source					Motion, Video Loss, Network Disconnection
	Event Actions					Push Notification, E-mail, FTP, Alarm Control, Recording
Network	Interface					Ethernet 10/100 Base-T(RJ-45), PoE : IEEE802.3af
	Protocol					IPv4, TCP/IP, HTTP, DHCP, DNS, DDNS, RTP, RTSP, SMTP, NTP, FTP, UPNP
	Security					Password Protection
	Application Programming Interface					Private Protocol / SDK, ONVIF Profile S
General	Housing					IR PTZ Dome
	Certifications					CE / FCC / RoHS / KCC
	Edge Storage					N/A
	Power Supply	Min DC 12V/2V		Min DC 12V/4V		
	Power Consumption	Max 12W		Max 35W		
	Operation Condition	-10°C ~ 50°C (14°F ~ 122°F) / 20% ~ 80% RH				
	Dimension	200 x 200 x 360 (mm)				
	Weight	2000g				

IP Megapixel Cameras Profile Summary



Model.	SNC 20X1-P Series		SNC 21X3-P Series		SNC 30X1-P Series		SNC 31X3 Series		SNC 32X3 x P Series		
											
IP Camera Type	IR Bullet		IR Bullet		IR Vandal Dome		IR Vandal Dome		PTZ Dome		
IPC Resolution	2.0 MP	4.0 MP	2.0 MP	4.0 MP	2.0 MP	4.0 MP	2.0 MP	4.0 MP	2.0 MP	4.0 MP	5.0 MP
Lens Type	Fixed Lens		Motorized Auto Focus Lens		Fixed Lens		Motorized Auto Focus Lens		Motorized Auto Focus Lens		
Remark	<ul style="list-style-type: none"> · Fixed 3.6mm Lens · PoE (Power Over Ethernet) · 85 x 67 x 208(mm) 		<ul style="list-style-type: none"> · Motorized 2.7-13.5mm/ 3.6-11mm Lens · PoE (Power Over Ethernet) · Audio In/Out · Alarm In/Out · SD Card · 94 x 100 x 344(mm) 		<ul style="list-style-type: none"> · Fixed 3.6mm Lens · PoE (Power Over Ethernet) · 100 x100 x 80(mm) 		<ul style="list-style-type: none"> · Motorized 2.7-13.5mm/ 3.6-11mm Lens · PoE (Power Over Ethernet) · Audio In/Out · Alarm In/Out · SD Card · LowLight(3123-LP) · 105 x 105 x 80(mm) 		<ul style="list-style-type: none"> · PoE (Power Over Ethernet) · Audio In/Out · Zoom X4 / x10 / x18 / x20 (Optional) · 200 x 200 x 360(mm) 		



CORPORATE HEADQUARTERS

Sicunet Inc.

California, USA 3001 Red Hill Ave. Suite 2-205 Costa Mesa, CA 92626

Tel : 714-512-8625

Fax: 714-512-6816

E-mail: sales@sicunet.com

www.sicunet.com

Copyright © 2016 SICUNET INC. All rights reserved.